

DVSPACK – more time for creative constructions

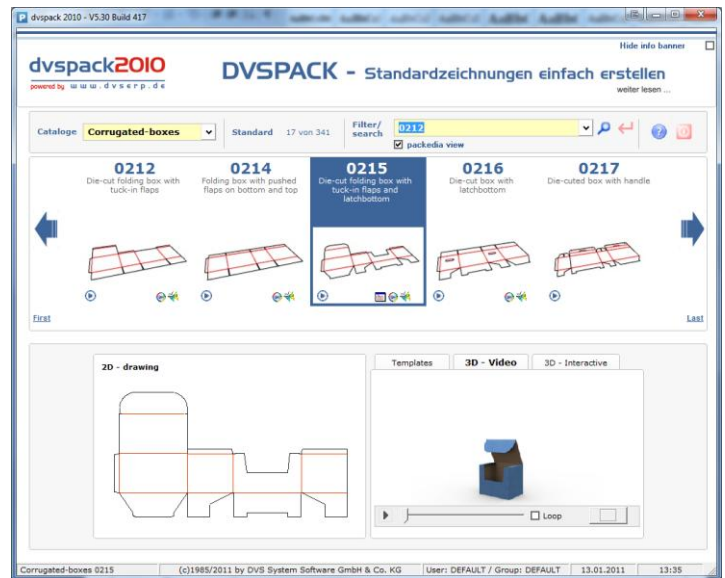
DVSPACK in the packaging development

DVSPACK has two internally connected columns:

The **first column** is the basis module with optionally available catalogs for

Folding carton,
Corrugated-boxes,
Displays.

These catalogs are in the style of the official catalogs of the packaging industry. But the DVS-catalogs are with a lot of additional standards and with more details inside. Therefore DVSPACK will be used to create easily complex drawings within only a minute. Additional DVSPACK build the base for the optimization and the order of the die.



Inside of the new version- **dvspack2010** – also 3D-Animation and 3D-Interactive files are available to the most of the standards.

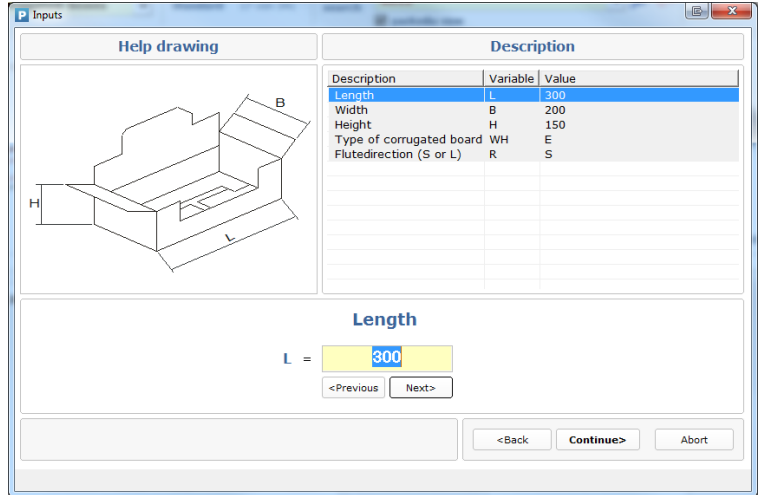
The **second column** is the actual CAD system for computer-aided engineering, for which you can use any **DXF compatible CAD software.** For **AutoCAD™** and **Bricscad** an extremely extensive DVS library of **additional functions (DVSKON)** is available, which we have customized for the developing specialist.

The use of other CAD systems is possible as well. Its interface is given via **DXF** or **CF2**, so that DVSPACK can be also used as a preliminary stage for any other CAD system.

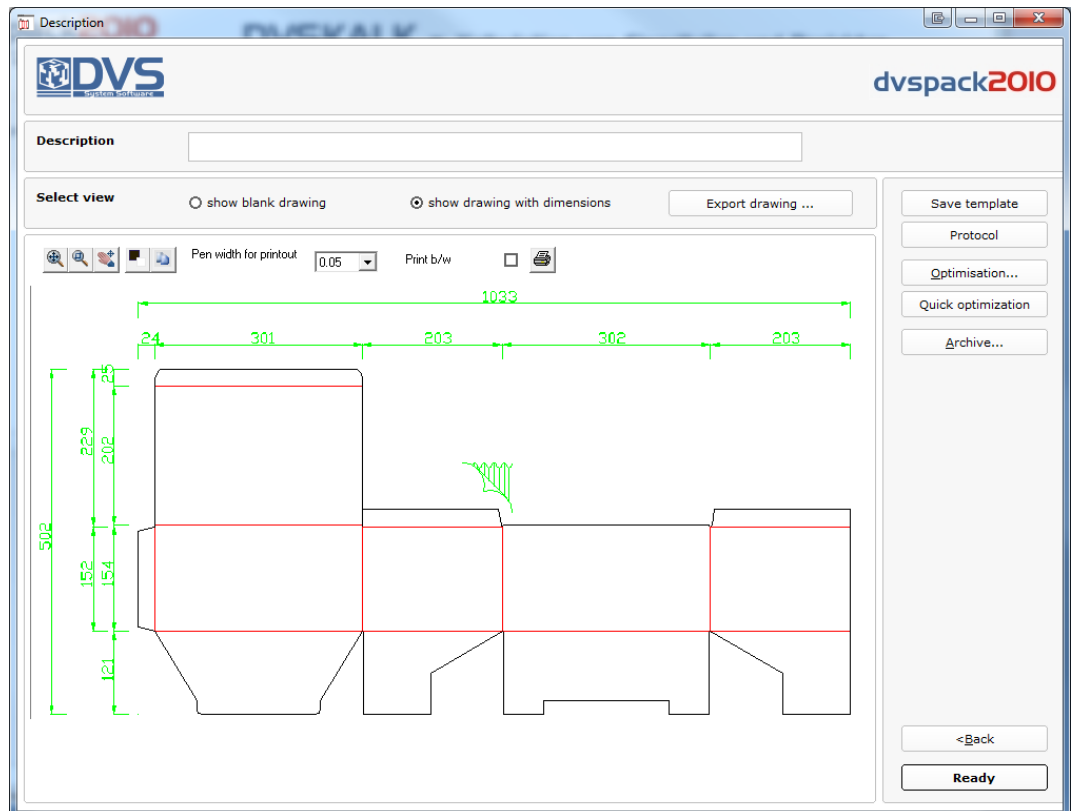
DVSPACK with sales (field an internal service)

With DVS standards it is possible to work fully independently from CAD. By their operator prompting with images and examples these standards are extremely easy-to-handle for the sales department without having to take up the packaging development department.

DVSPACK together with the sheet layout (**DVSOPT**), supplies the optimized results of blank and sheet dimensions, and is therefore the basis for the in the matter-of-minutes costing creation at the desk of the official in charge.



This secures an **offer within 5 minutes** with the customer for all standard inquiries, and at the same time offers an efficient sales support as well as a basis for the sample making..



As an **expert system** it is able to take misentries and technically necessary restrictions (e.g. in the field of the production) into consideration, and can alert as soon as technical or qualitative limits are reached.